

FB

for three phase alternating current, 6-6 pole

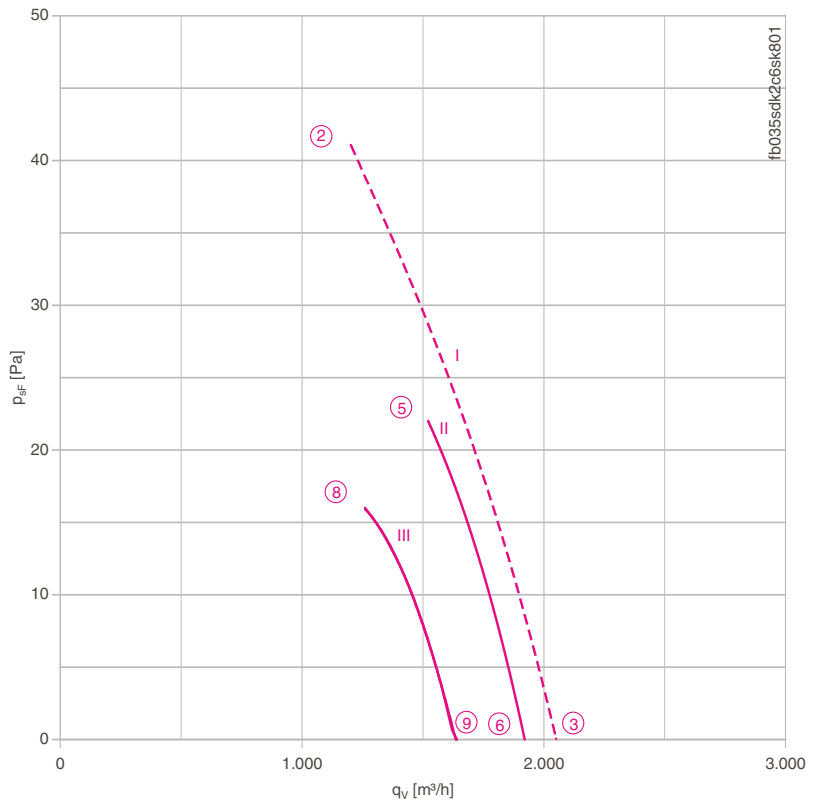
FBO35-SD



Description

Motor technology: AC
 Rated voltage U_N : 3- 400 V (Δ/Y) ± 10 %*
 Rated frequency f_N : 50 Hz* (60Hz data available)
 Motor input power P_1 : 0.07/0.04 kW*
 Rated current I_N : 0.17/0.08 A*
 Rated speed n_N : 880/ 700 min⁻¹*
 Starting current I_s : 0.42 A / 0.14 A
 Current increase ΔI : 0 %
 Thermal class: THCL155*
 Min. permitted conveyor temperature $t_{R(min)}$: -40 °C
 Max. permitted conveyor temperature $t_{R(max)}$: 70 °C
 Electrical connection: Terminal box
 Number of blades: 4
 Protection class: IP54
 Motor protection: Thermal contact
 Blades: Aluminium, uncoated
 Rotor: Aluminium, uncoated
 Conformity: CE
ErP Data
 Is not subject to the ErP Guidelines ($P_1 < 125$ W)
 * Rated data

Characteristic curve

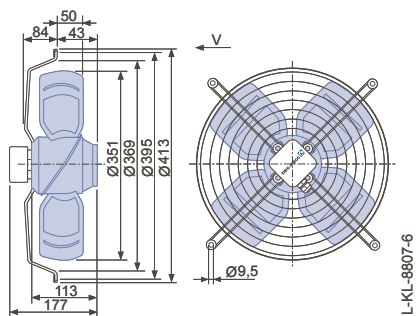


I) Measured in full bell mouth without guard grille in installation type A according to ISO 5801.
 II-x) Measured in short-bell mouth with compressed side contact protection.

- Connection diagram 1360-108XA Page 608
- System components Page 524

Dimensions [mm]

← Airflow direction V
 Design K - axial bolted, mounted for short bell mouth E



Performance data


Type	Connection	Characteristic curve	Voltage	Operating point	Current	Motor input power	Speed	Suction side sound power level
			U [V]					
FB035-SD_2C.V4S	Δ	I	400*	②	0.17*	70*	880*	
			400	③	0.16	57	920	61
		400	⑤	0.16	58	920	64	
	Y	II	400	⑥	0.15	54	930	60
			400	⑧	0.08	39	760	60
		400	⑨	0.07	37	790	57	

*rated data

Fan ordering information

← Airflow direction V

Design K



Type FB035-SDK.2C.V4S
Article no. 210514
Weight [kg] 4.80

Control technology

<p>Frequency inverter Fcontrol 3~</p>  <p>➤ Page 558</p>	<p>Motor protection units 3~</p>  <p>➤ Page 596</p>	<p>Transformer-based controllers 3~</p>  <p>➤ Page 591</p>	<p>Electronic voltage controllers 3~</p>  <p>➤ Page 578</p>
------------------------------------------------------------------------------------------------------------------------------------------------	-------------------------------------------------------------------------------------------------------------------------------------------	--------------------------------------------------------------------------------------------------------------------------------------------------	---------------------------------------------------------------------------------------------------------------------------------------------------

- Information
- FE2owlet ECblue
- FE2owlet
- FB
- FC
- System components
- Control technology
- Appendix

